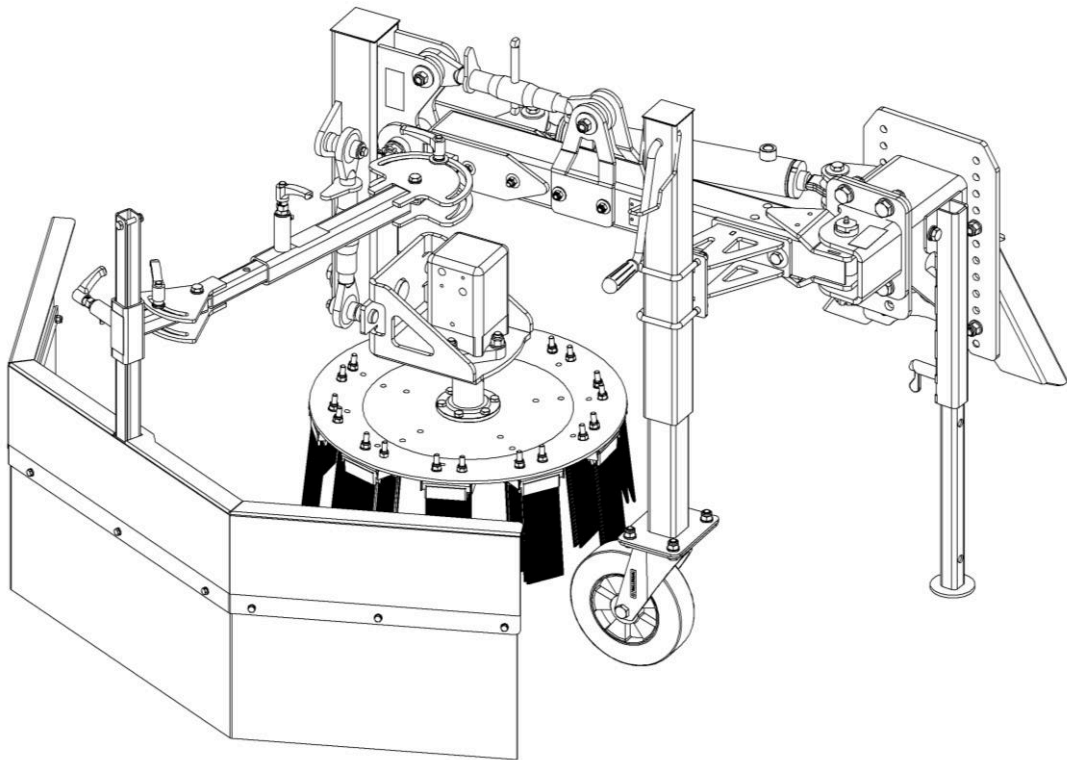




Spare Parts List

Weed Brush UB 6080 H

Short version



Order number: E00100

from machine number: 65930

Rev.: R01

as of September 2020

Kersten
SITE MAINTENANCE EQUIPMENT

Telephone: 0118 9869 253

Email: office@kerstenuk.com

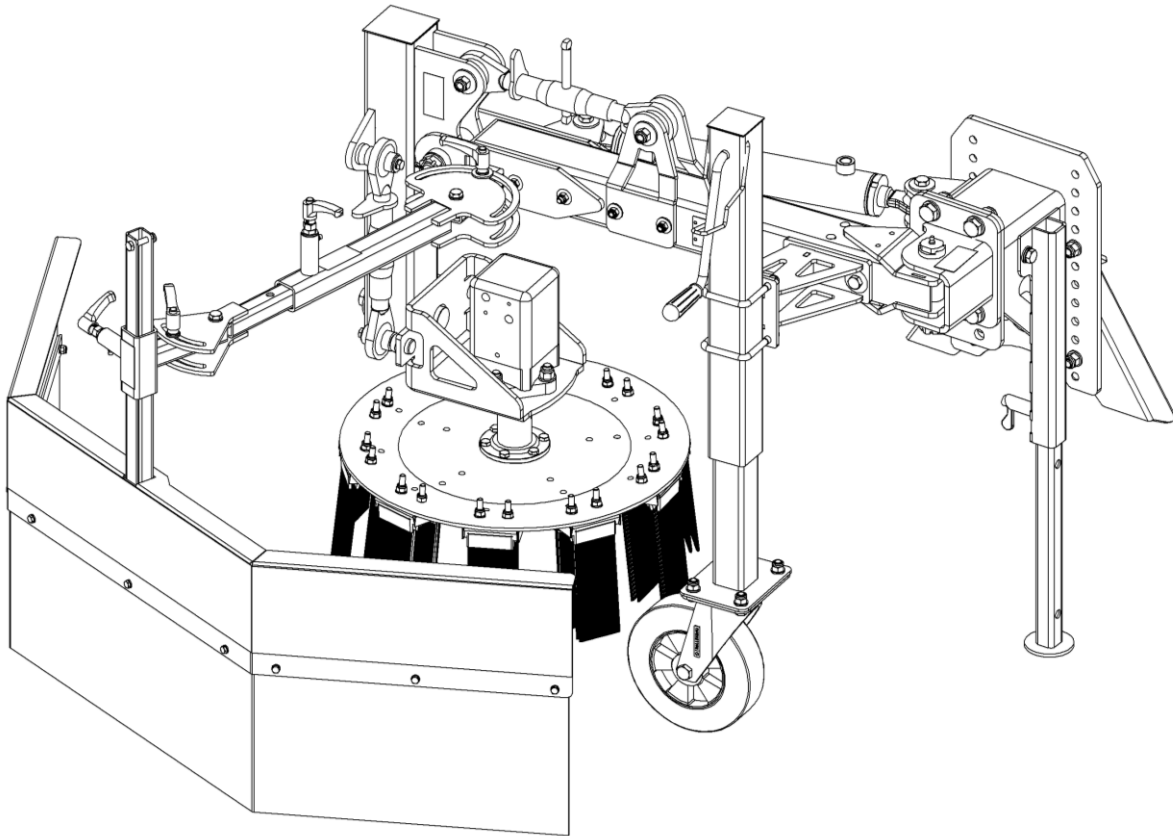
Progress House, 39 Boulton Road, Reading, Berkshire, RG2 0NH, United Kingdom

<https://kerstenuk.com/>

Table of contents

1	Model overview	4
1.1	Model view - UB 6080 H short version - C07013 R00	4
2	Assembly overview	5
2.1	Assembly - UB 6080 H short version - C07012 R00	5
2.2	Short middle section - weed brush - C06600 R01	7
2.3	Front arm with orbital motor - C07426 R00	8
2.4	Three-point & coupling attachment frame - C06551 R00	9
2.5	Splash guard - C06542 R00	10
3	Accessories / Options	11
3.1	Brush plate Ø60cm - BT 060 FL - C02561 R01	11
3.2	Brush plate Ø80cm - BT 080 FL - C02563 R01	12
3.3	Brush plate Ø80cm - BT 080 DS-KU - C06296 R00	13
3.4	Control unit ST-UB- C11325 R00	14
3.5	Control unit ST-UB-JS with joystick operation - C11901 R00	15
3.6	Weed brush set complete with joystick ST-UB-JS - C11899 R00	16
3.7	Control unit ST-UB-RC with radio remote control - C06775 R00	17
3.8	Hydraulic swivel device HSZ- 60 UB - C06928 R00	18
3.9	Hydraulic diagram for control unit n.a., FR right - C07015 R00	19
3.10	Edge cutter - C10736 R00	21
3.11	Adjustable throttle - C11758 R00	23

1 model overview

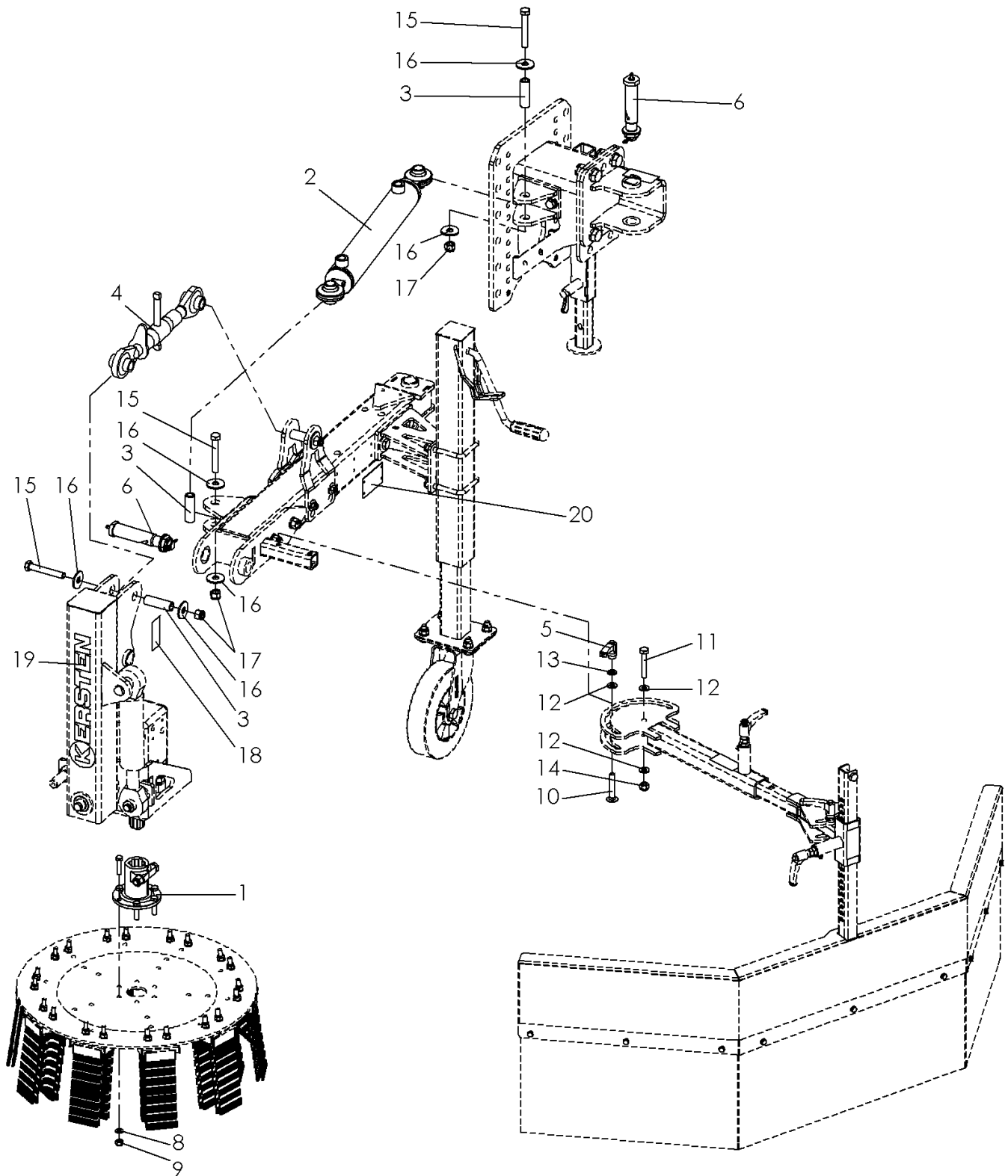


1.1 Model view - UB 6080 H short version - C07013 R00

No.	Art.-No.	No.	designation
1	C07012 R00	1	Assembly - Weed Brush
2	C06551 R00	1	attachment frame three-point & coupling attachment
3	C06600 R01	1	middle part, short
4	C06608 R00	1	forearm with orbital motor
5	C06542 R00	1	splash guard

2 Assembly overview

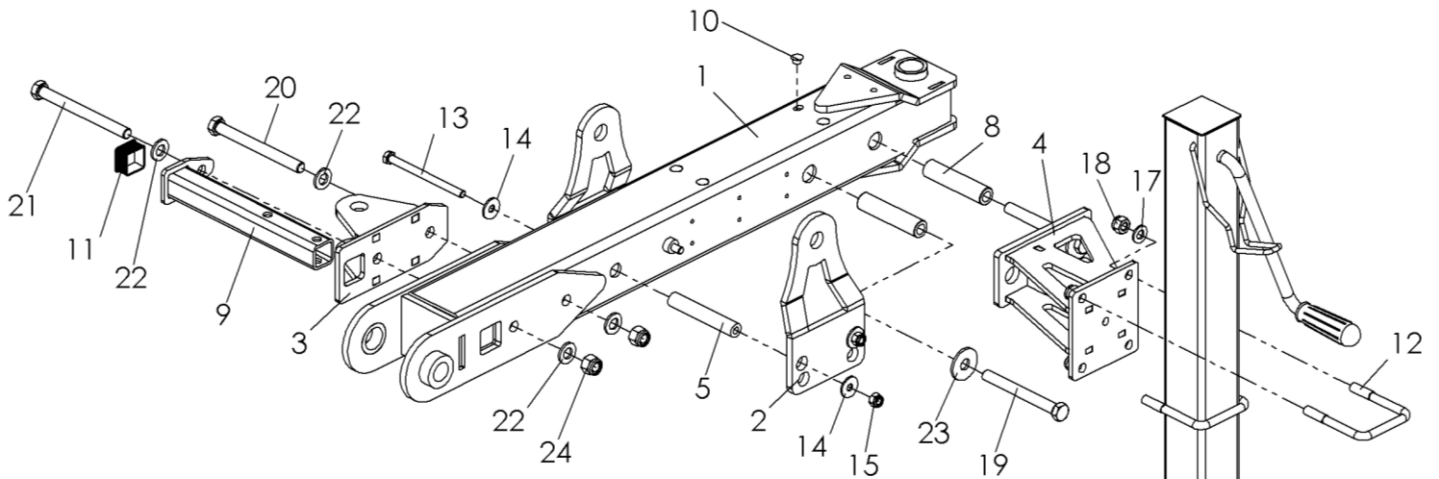
2.1 Assembly - UB 6080 H short version - C07012 R00



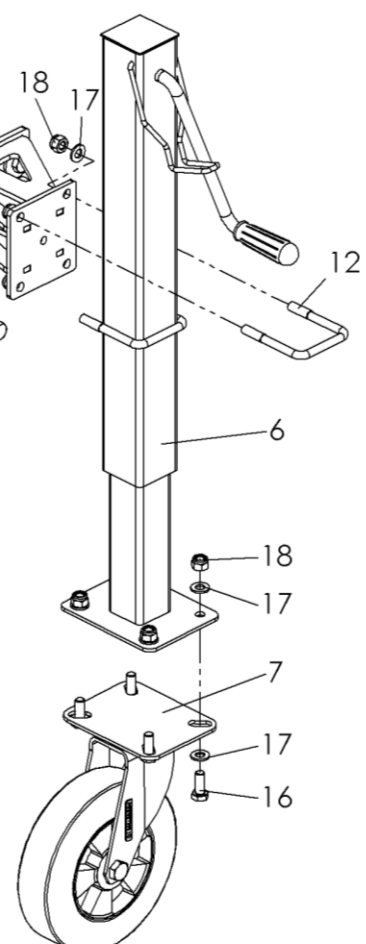
Assembly - UB6080 H - C07012 R00

No.	Art.-No.	No.	Designation 1
1	927 335 006	1	mounting flange
2	933 103 006	1	hydraulic cylinders
3	C06261	4	socket
4	950 101 060	1	top link
5	941 200 212	1	clamping lever
6	903 220 015	2	spring bolt
7	901 008 035	6	hexagon screw without shaft
8	905,108,000	6	U-disk
9	900 008 002	6	lock nut
10	901 910 060	1	carriage bolt
11	901 110 060	1	hexagon screw with shaft
12	905,110,000	3	U-disk
13	905,010,000	1	spring ring
14	900 010 002	1	lock nut
15	901 012 080	4	hexagon screw without shaft
16	905 212 001	8	K-disk
17	900 012 002	4	lock nut
18	999,049,000	5	sticker lubrication point
19	950 900 100	1	Kersten stickers
20	950 900 070	1	type plate - Kersten

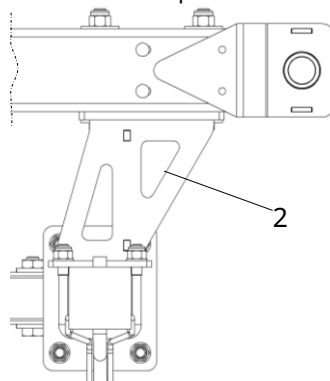
2.2 Middle part short - weed brush - C06600 R01



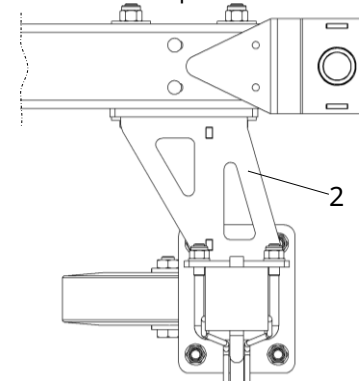
No.	Art.-No.	No.	designation
No.	Art.-No.	No.	Designation 1
1	C05571	1	Middle frame short, complete
2	C05597	2	mounting bracket swivel cylinder
3	C06480	1	Cylinder mount complete
4	C06471	1	jockey wheel holder short
5	C05608	2	spacer tube
6	942 001 002	1	support leg
7	926 304 200	1	roller Ø200
8	C06263	2	socket
9	C05606	1	splash guard holder
10	943 700 008	4	blind plugs
11	943 130 302	1	protective cap
12	901 510 260	2	U-bolt
13	901 108 110	2	hexagon screw with shaft
14	905 208 025	4	K-disk
15	900 008 002	2	lock nut
16	901 010 025	4	hexagon screw without shaft
17	905,110,000	12	U-disk
18	900 010 002	8	lock nut
19	901 112 110	2	hexagon screw with shaft
20	901 112 125	1	hexagon screw with shaft
21	901 112 130	1	hexagon screw with shaft
22	905,112,000	4	U-disk
23	905 212 001	4	K-disk
24	900 012 002	4	lock nut



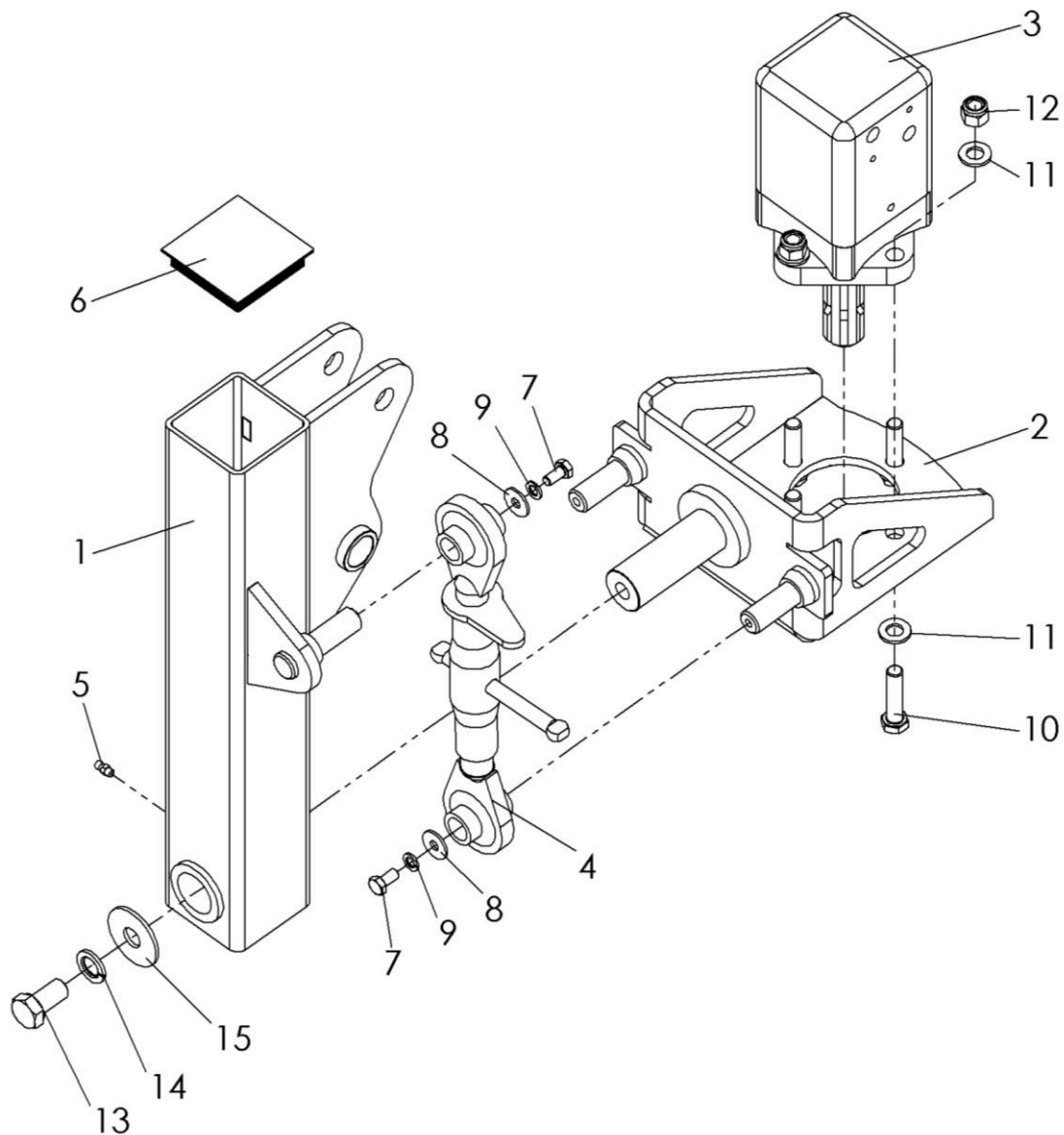
Depiction:
Pos.2 for brush plate Ø600



Depiction:
Pos.2 for brush plate Ø800

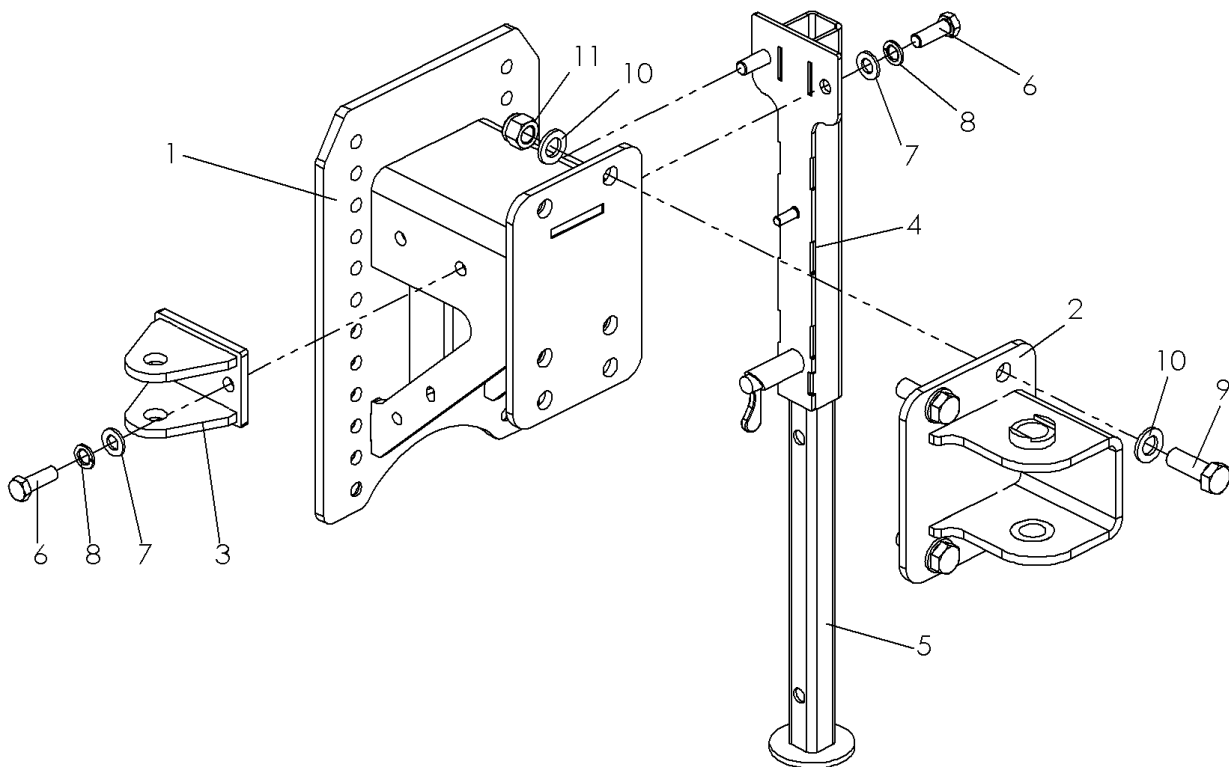


2.3 Front arm with orbital motor - C07426 R00



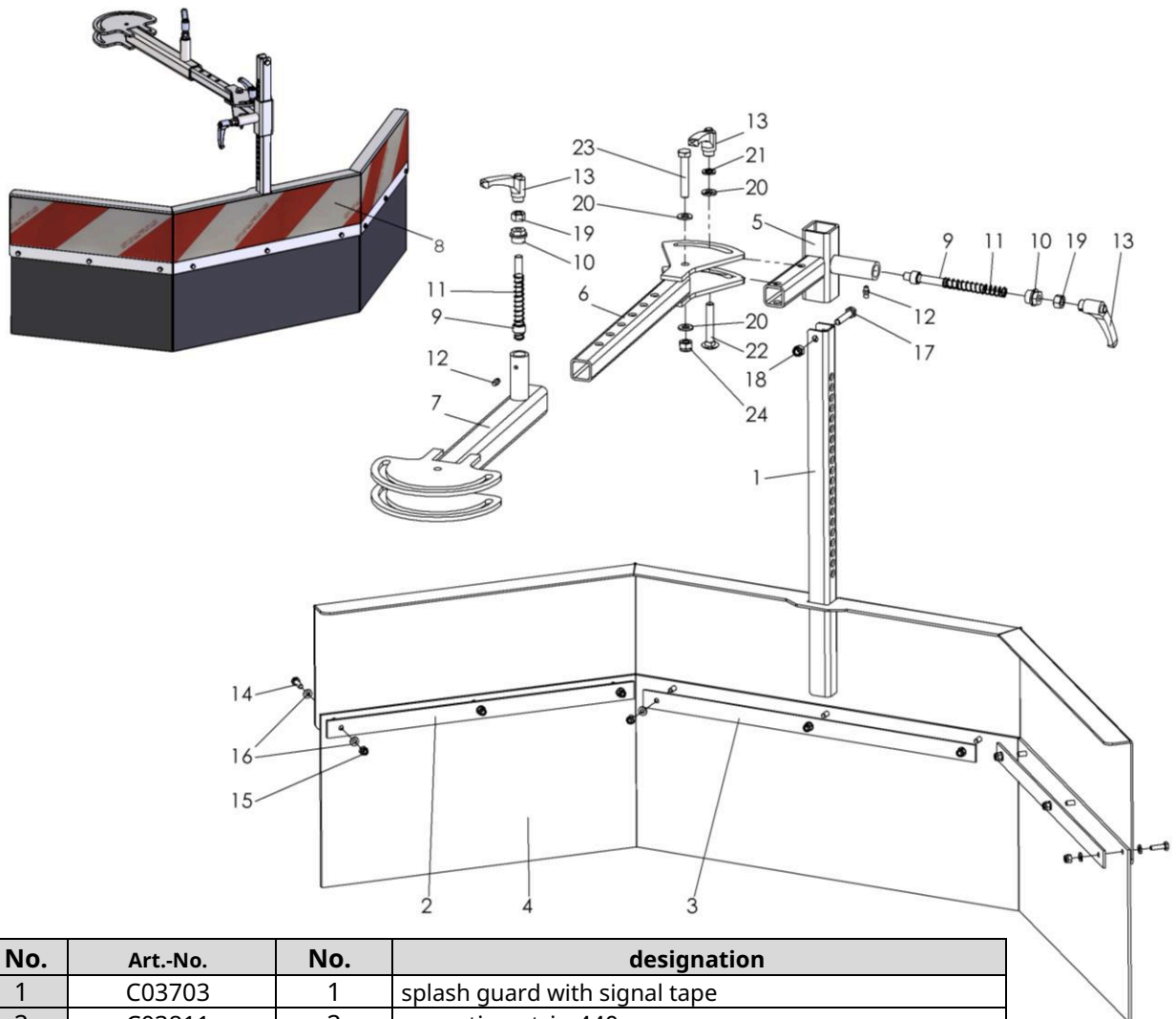
No.	Art.-No.	No.	designation
1	C05603	1	front frame for UB
2	C06475	1	engine mount
3	935 114 125	1	hydraulic motor
4	933 101 060	1	top link
5	910,006,000	1	grease nipple
6	943 180 803	1	protective cap 80x80x3
7	901 008 016	2	hexagon screw without shaft
8	905 208 025	2	K-disk
9	905 008 000	2	spring ring
10	901 012 050	4	hexagon screw without shaft
11	905,112,000	8	U-disk
12	900 012 002	4	lock nut
13	901 016 030	1	hexagon screw without shaft
14	905,016,000	1	spring ring
15	905,216,000	1	K-disk

2.4 Mounting frame three-point & coupling attachment - C06551 R00



No.	Art.-No.	No.	designation
1	C06455	1	UB mounting frame for FKDR
2	C06453	1	swivel bearing
3	C06454	1	mounting bracket swivel cylinder
4	C06499	1	parking support
5	750 000 016	1	parking support
6	901 012 035	4	hexagon screw without shaft
7	905,112,000	4	U-disk
8	905 012 000	4	spring ring
9	901 016 040	4	hexagon screw without shaft
10	905,116,000	8	U-disk
11	900 016 002	4	lock nut

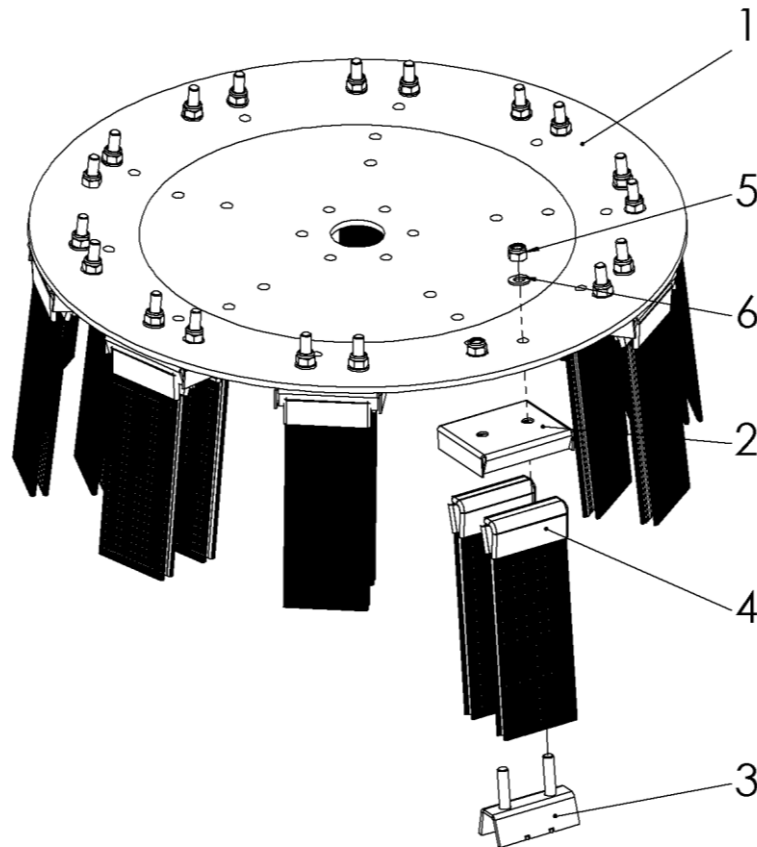
2.5 Splash guard - C06542 R00



No.	Art.-No.	No.	designation
1	C03703	1	splash guard with signal tape
2	C03811	2	mounting strip 440
3	C03812	1	mounting strip 500
4	C03813	1	rubber splash flaps
5	C03706	1	Guide tube for splash guard compl.
6	C06523	1	swivel arm part 1
7	C06524	1	swivel arm part 2
8	C03816	1	safety stickers
9	C03707	2	locking pin with clamping function
10	C03708	2	threaded plug
11	909 100 189	2	compression spring
12	910,006,000	2	grease nipple
13	941 200 210	3	clamping lever
14	901 006 020	9	hexagon screw without shaft
15	900 006 002	9	lock nut
16	905,106,000	18	U-disk
17	901 008 040	1	hexagon screw with shaft
18	900 008 002	1	lock nut
19	900 010 001	2	Skt.-Mutter
20	905,110,000	3	U-disk
21	905,010,000	1	spring ring
22	901 910 060	1	carriage bolt
23	901 110 060	1	hexagon screw with shaft
24	900 010 002	1	lock nut

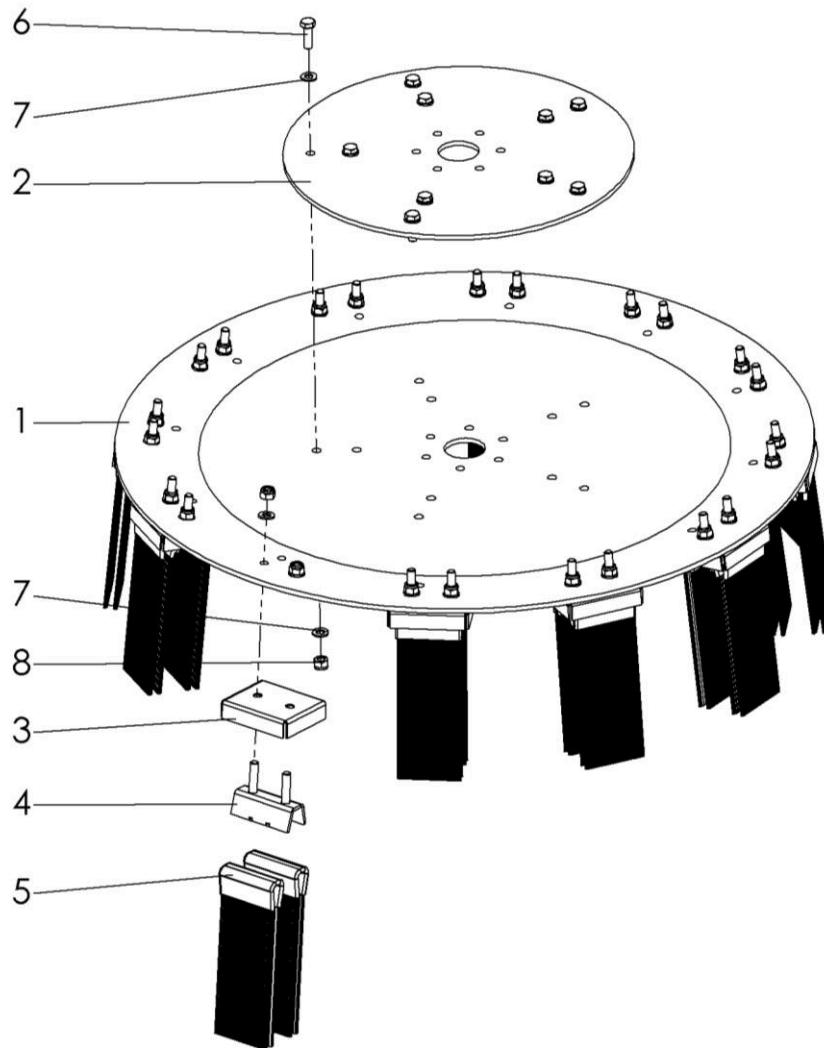
3 Accessories / Options

3.1 Brush plate Ø60cm - BT 060 FL - C02561 R01



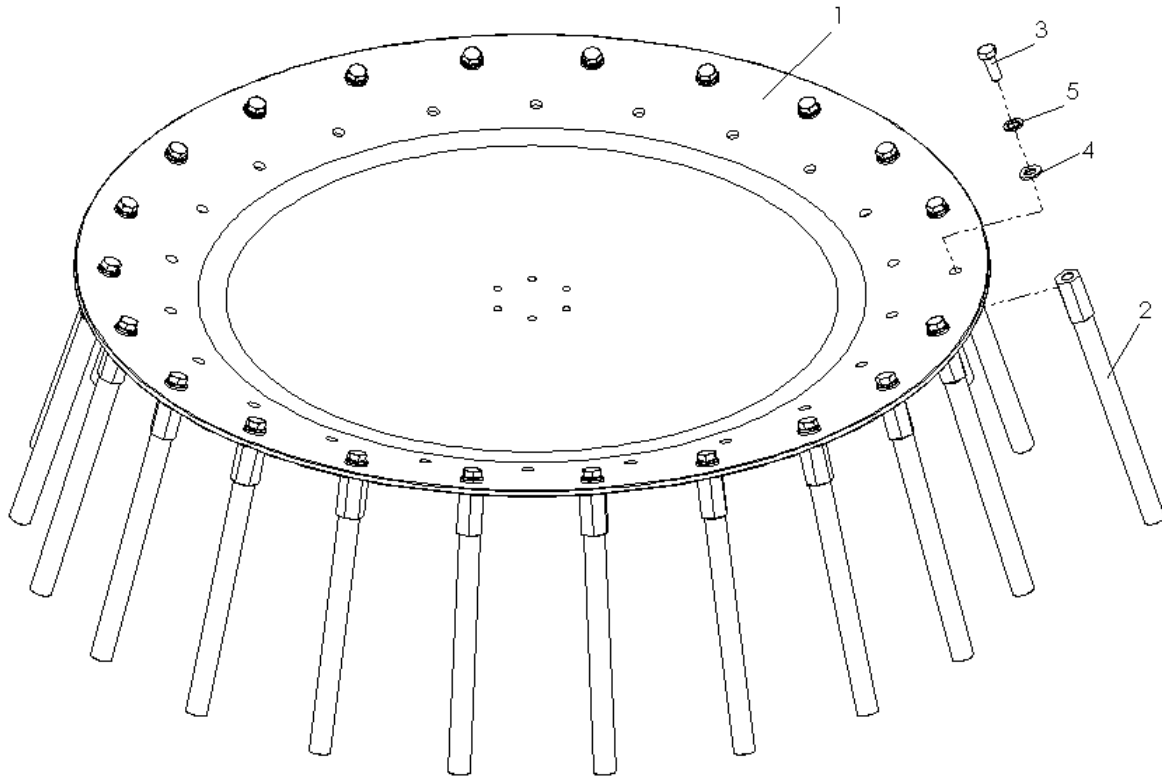
No.	Art.-No.	No.	designation
1	C04316 R01	1	brush plate
2	700,000,132	10	brush holder, outer part
3	750 000 133	10	brush holder, inner part
4	750 000 135	20	wild herb tufts (mixed)
5	900 008 002	20	lock nut
6	905,108,000	20	U-disk

3.2 Brush plate Ø80cm - BT 080 FL - C02563 R01



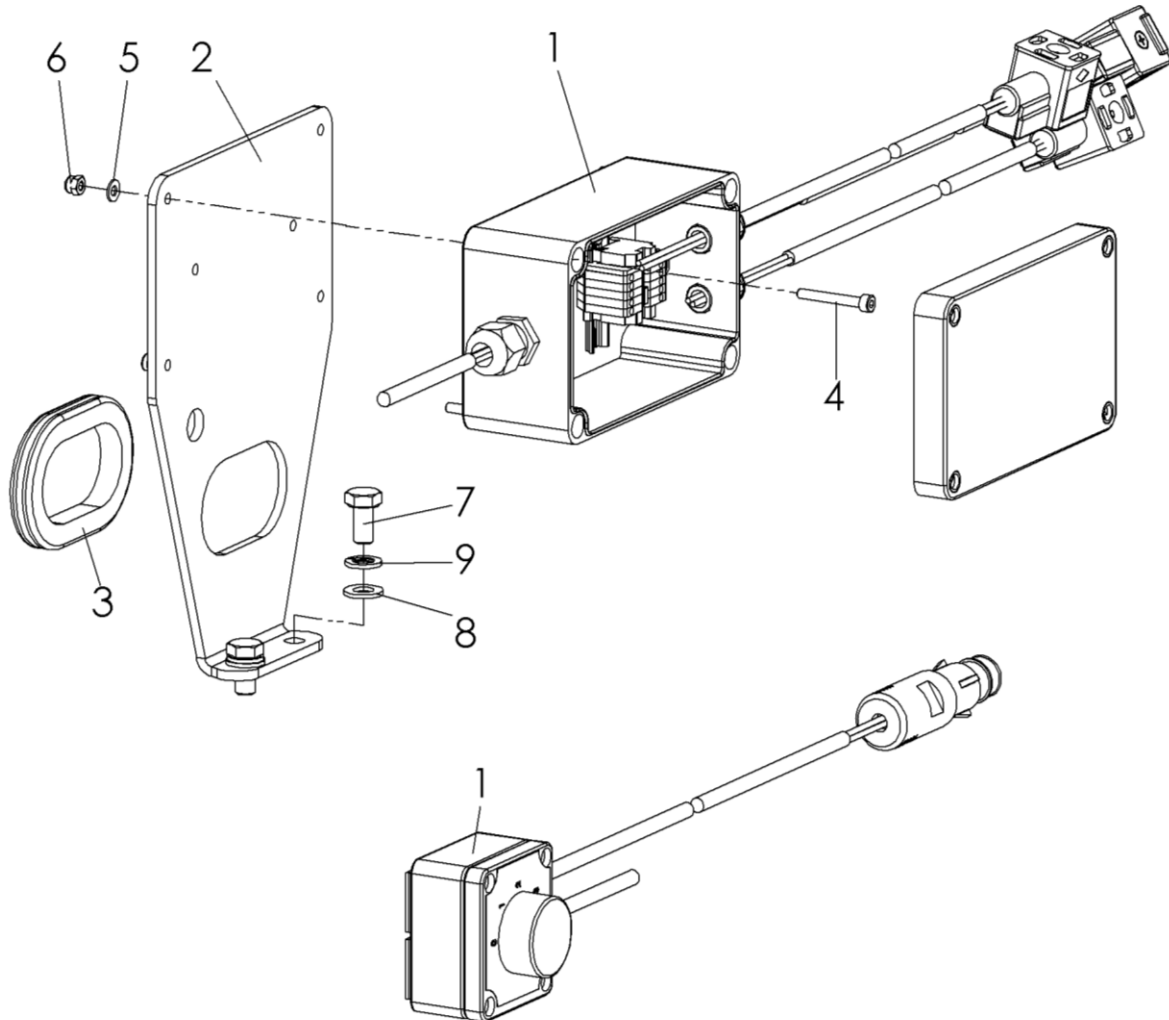
No.	Art.-No.	No.	designation
1	750 000 050 R01	1	brush plate 800mm
2	750 000 051	1	reinforcement plate
3	700,000,132	12	brush holder outer part
4	750 000 133	12	brush holder, inner part
5	750 000 135	24	wild herb tufts (mixed)
6	901 008 025	10	hexagon screw without shaft
7	905,108,000	44	U-disk
8	900 008 002	34	lock nut

3.3 Brush plate Ø80cm - BT 080 DS-KU - C06296 R00



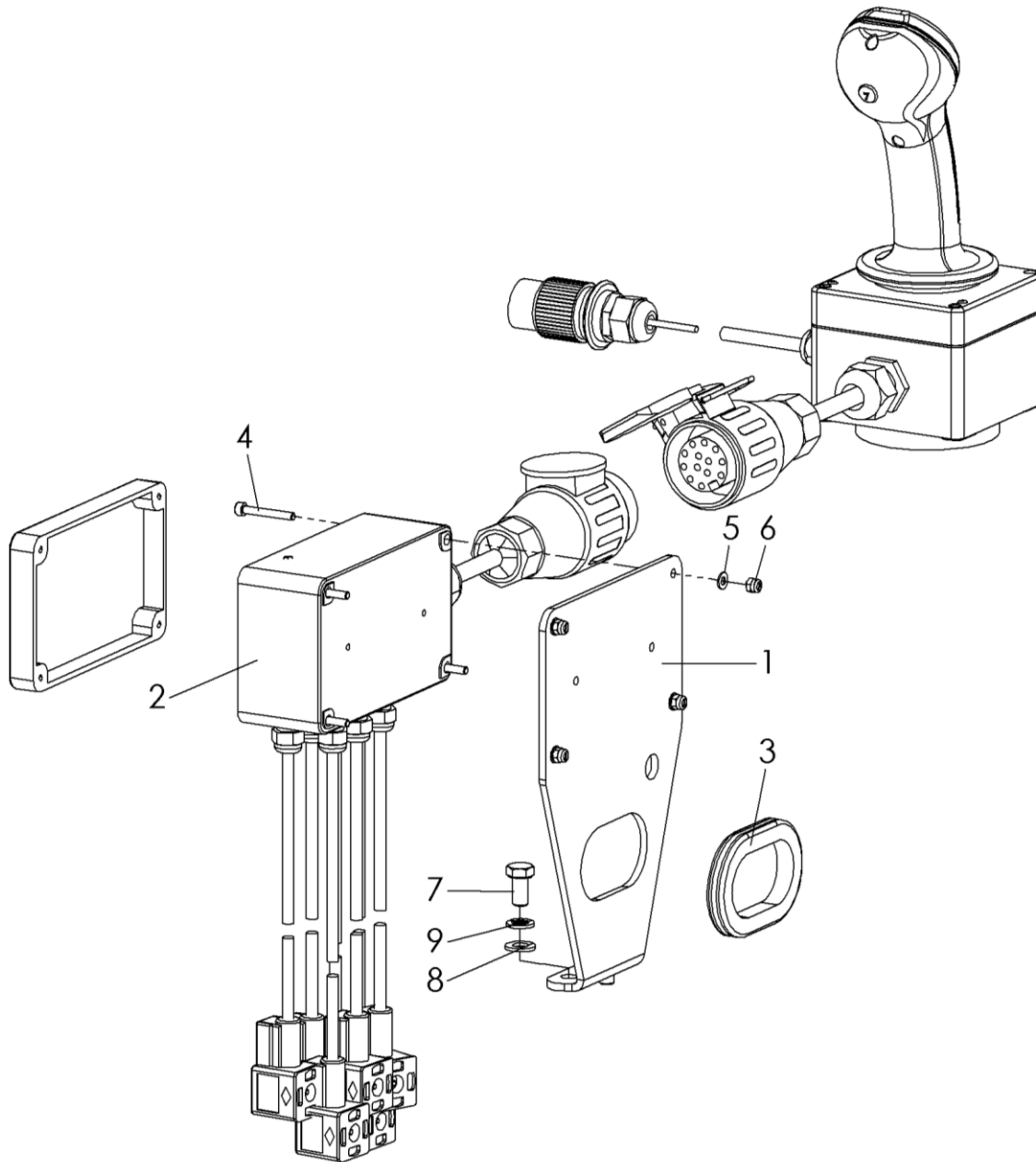
No.	Art.-No.	No.	designation
1	106,780,500	1	weed broom plate
2	106 780 501	22	screw bundles coated
3	901 012 030	22	hexagon screw without shaft
4	905,112,000	22	U-disk
5	905 012 000	22	spring ring

3.4 Control unit ST-UB- C11325 R00



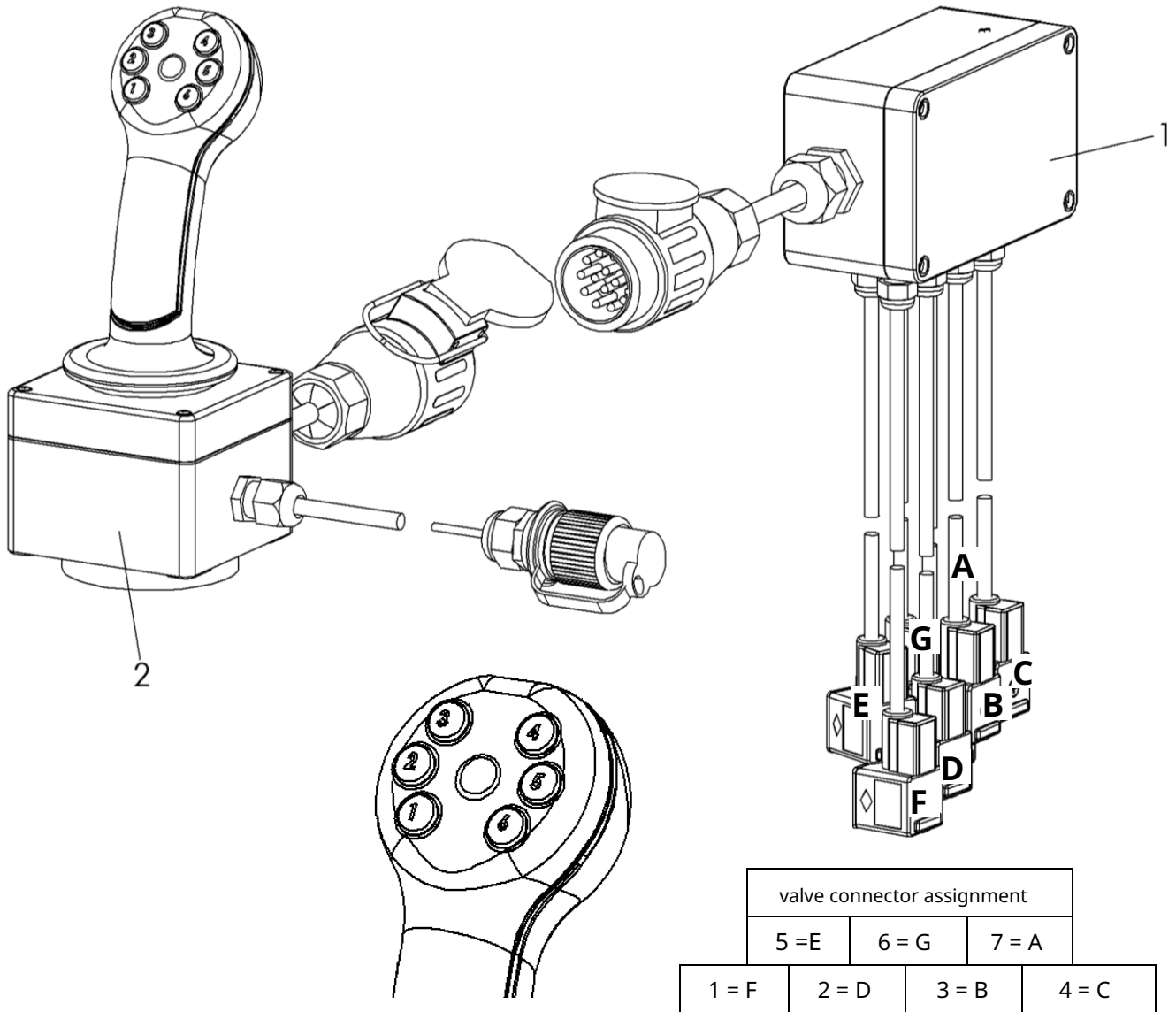
No.	Art.-No.	No.	Designation 1
1	C11123	1	ST-UB complete kit
2	C05677	1	mounting plate junction box
3	908 706 667-1	1	cable grommet double-sided
4	901 804 030	4	Cylinder head screw with hexagon socket
5	905,104,000	4	U-disk
6	900 004 002	4	lock nut
7	901 008 016	2	hexagon screw without shaft
8	905,108,000	2	U-disk
9	905 008 000	2	spring ring

3.5 Control unit ST-UB-JS with joystick operation - C11901 R00



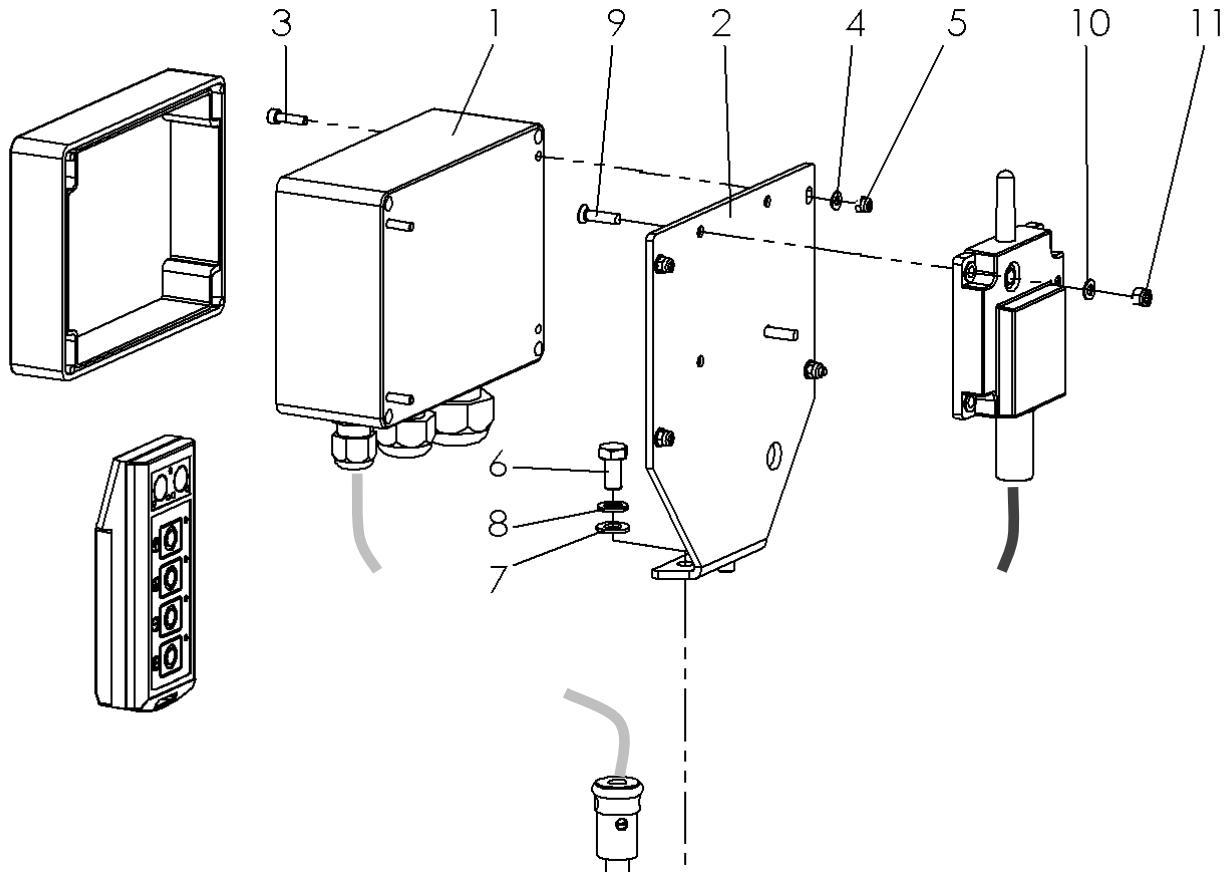
No.	Art.-No.	No.	Designation 1
1	C05677	1	mounting plate junction box
2	C11899	1	Weed brush set complete
3	908 706 667	1	cable grommet double-sided
4	901 804 030	4	Cylinder head screw with hexagon socket
5	905,104,000	4	U-disk
6	900 004 002	4	lock nut
7	901 008 016	2	hexagon screw without shaft
8	905,108,000	2	U-disk
9	905 008 000	2	spring ring

3.6 Weed brush set complete with joystick ST-UB-JS - C11899 R00



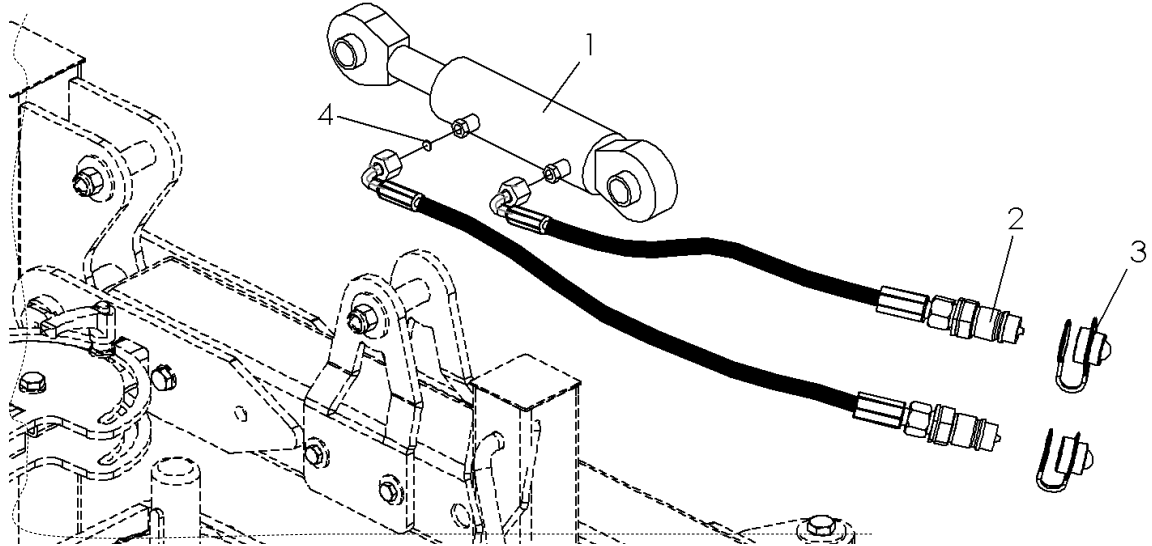
No.	Art.-No.	No.	Designation 1
1	C11900	1	junction box with wiring harness
2	C11893	1	Weed brush set complete with joystick

3.7 Control unit ST-UB-RC with radio remote control – C06775 R00



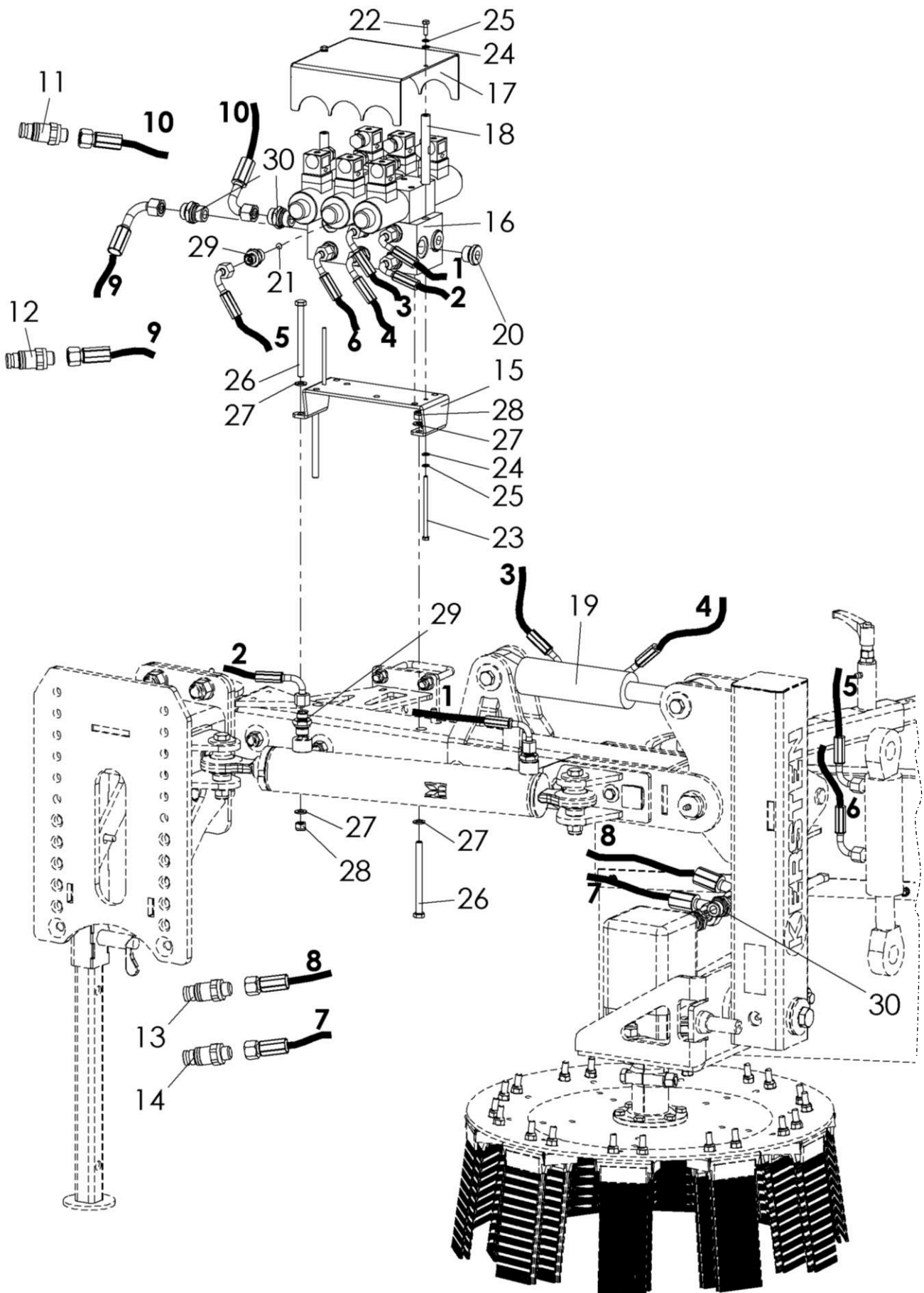
No.	Art.-No.	No.	designation
1	C06776	1	control unit with radio remote control complete
2	C05679	1	junction box
3	901 804 016	4	Cylinder head screw with hexagon socket
4	905,104,000	4	U-disk
5	900 004 002	4	lock nut
6	901 008 016	2	hexagon screw without shaft
7	905,108,000	2	U-disk
8	905 008 000	2	spring ring
9	901 405 020	2	countersunk screw with Phillips
10	905,105,000	2	U-disk
11	900 005 002	2	lock nut

3.8 Hydraulic swivel device HSZ- 60 UB – C06928 R00



No.	Art.-No.	No.	designation
1	933 102 060	1	hydraulic cylinders
2	932 131 323	2	hydraulic connector
3	932 391 032	2	hydraulic protective cap
4	936 008 010	1	throttle plate
5	930...	2	hydraulic hose depending on the tractor

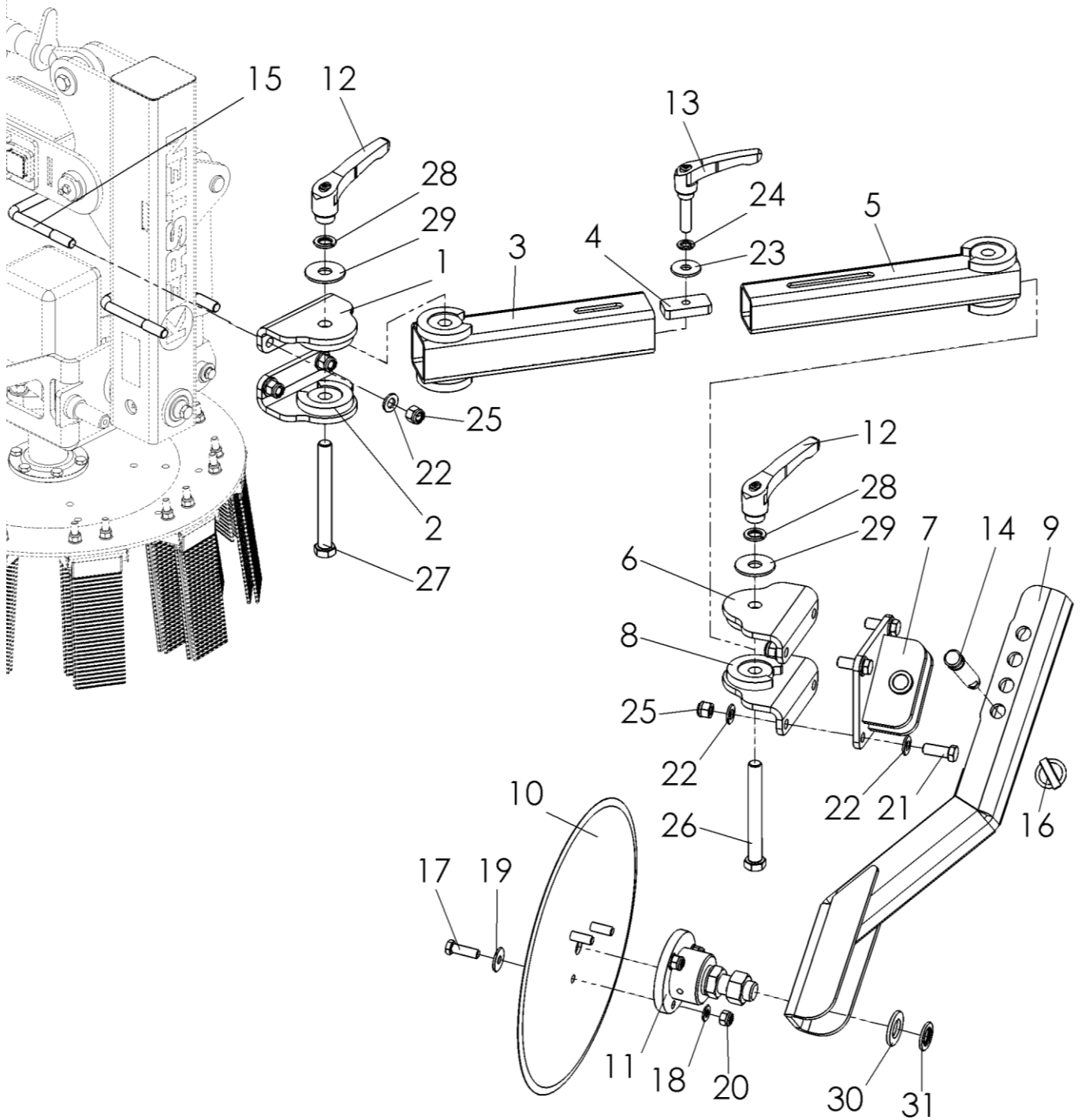
3.9 Hydraulic diagram for control unit n.a., FR right - C07015 R00



Hydraulic diagram for control unit short version, FR right - C07015 R00

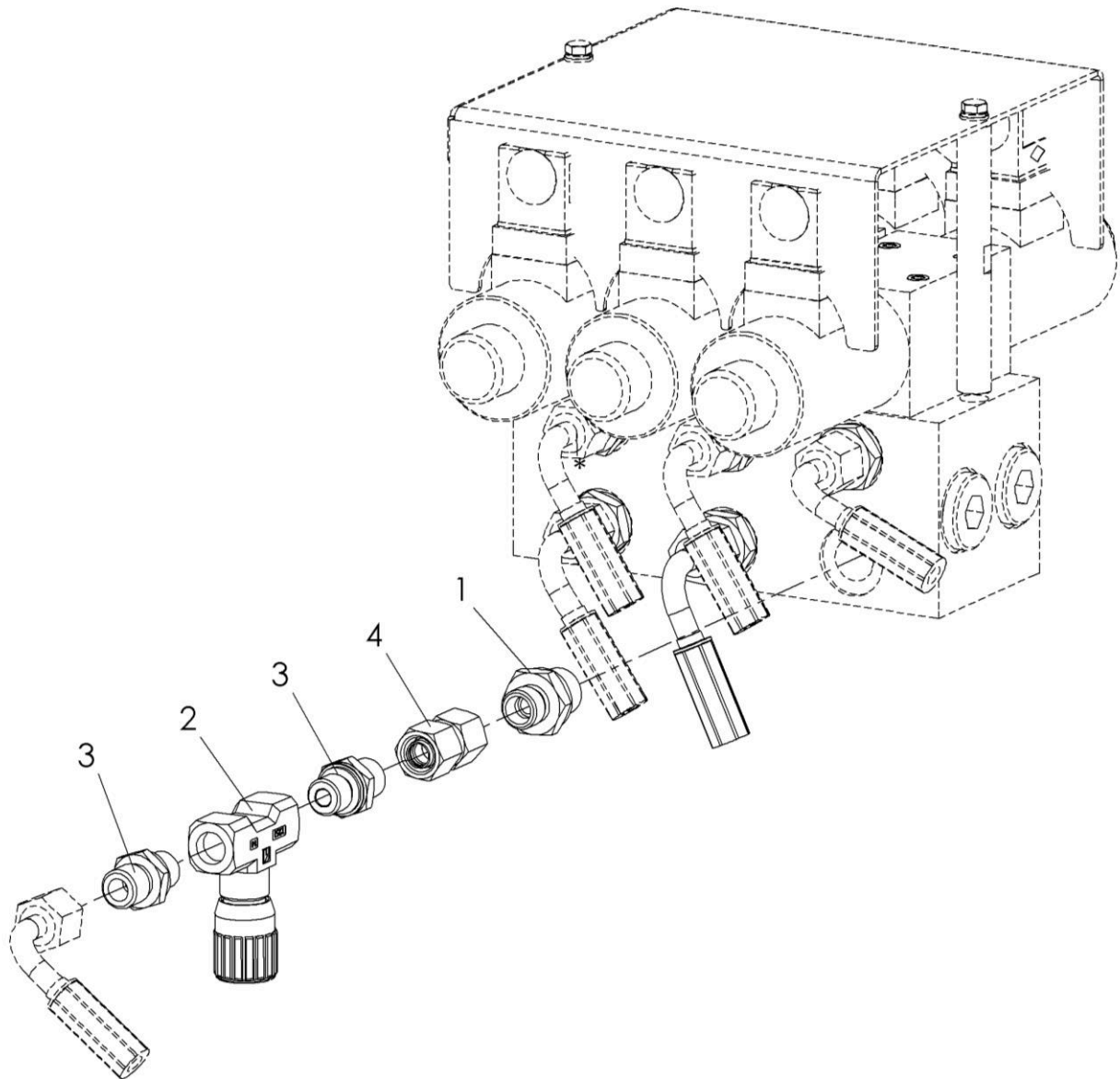
No.	Art.-No.	No.	designation
Hydraulic hose set: 930 680 998			
1	930 750 050	1	hydraulic hose
2	930 750 051	1	hydraulic hose
3	930 750 052	2	hydraulic hose
4			
5	930 750 053	2	hydraulic hose
6			
7	930 ...	1	hydraulic hose depending on the tractor
8	930 ...	1	hydraulic hose depending on the tractor
9	930 ...	1	hydraulic hose depending on the tractor
10	930 ...	1	hydraulic connector depending on the tractor
11	932 ...	1	hydraulic connector depending on the tractor
12	932 ...	1	hydraulic connector depending on the tractor
13	932 ...	1	hydraulic connector depending on the tractor
14	932 ...	1	hydraulic connector depending on the tractor
15	C05678	1	valve carrier for UB
16	C06761	1	Solenoid valve complete
17	C06784	1	cover
18	C06785	2	spacers
19	933 102 060	1	cylinder
20	931 130 012	2	screw plug
21	936 008 010	2	throttle plate
22	901 005 016	2	hexagon screw without shaft
23	901 005 085	2	hexagon screw with shaft
24	905,105,000	4	U-disk
25	905,005,000	4	spring ring
26	901 108 100	4	hexagon screw with shaft
27	905,108,000	8	U-disk
28	900 008 002	4	lock nut
29	931 070 838	8	hydraulic screw connection
30	931 071 512	4	hydraulic screw connection

3.10 Edger - C10736 R00



No.	Art.-No.	No.	Designation 1
1	C10726	1	swivel mount 1 above
2	C10717	1	swivel mount 1 below
3	C10727	1	Telescopic arm large complete
4	C10690	1	clamping jaw
5	C10729	1	telescopic arm small
6	C10735	1	swivel mount 2 above
7	C10731	1	pendulum suspension complete
8	C10732	1	swivel mount 2 below
9	C10714	1	pendulum arm complete
10	950 400 084	1	Kolter Scheibe
11	950 400 085	1	Hub one-sided complete
12	941 200 016	2	clamping lever GR.5
13	941 200 512	1	clamping lever GR4
14	907 400 073	1	socket pin
15	901 512 380	2	U-bolt
16	907,110,000	1	linch pin
17	901 010 035	3	hexagon screw without shaft
18	905,110,000	3	U-disk
19	905,210,000	3	K-disk
20	900 010 002	3	lock nut
21	901 012 035	4	hexagon screw without shaft
22	905,112,000	12	U-disk
23	905 212 001	1	K-disk
24	905 012 000	1	spring ring
25	900 012 002	8	lock nut
26	901 116 140	1	hexagon screw with shaft
27	901 116 150	1	hexagon screw with shaft
28	905,016,000	2	spring ring
29	905,216,000	2	K-disk
30	905,124,000	1	U-disk
31	905,024,000	1	spring ring

3.11 Adjustable throttle - C11758 R00



No.	Art.-No.	No.	Designation 1
1	931 070 838	6	hydraulic screw connection
2	936 614 001	1	throttle valve
3	931 070 814	2	hydraulic screw connection
4	931 208 006	1	hydraulic screw connection straight